

LIGHTNING 高速直压式瓶坯注塑系统

LIGHTNING HIGH SPEED DIRECT COMPRESSION INJECTION SYSTEM



DEMARK

与世界同步的高性能瓶坯生产系统

WORLD CLASS HIGH PERFORMANCE PREFORM PRODUCTION SYSTEM

德玛克Lightning高速直压式瓶坯注塑系统为您带来与欧洲设备同源的系统配置，但是投资却比之前更低。高达144腔的瓶坯生产系统包含双螺杆设计高速瓶坯注塑机，精密瓶坯注塑模具，模后冷却机械手，集中控制系统和高效原料干燥系统，为您带来更高的生产效率，更优的成品质量。同时更是提供了德国MHT瓶坯注塑模具供您选配。

不仅如此，德玛克还秉承包括瓶坯设计和整厂规划等交钥匙服务理念，为您从多个维度提供更多的建议和帮助，使得您在竞争激烈和快速变化的市场始终保持长期的竞争力。

Demark Lightning high speed direct compression injection system allows you gain the same level of specification as European machine but with lower investment cost at the same time. The system can produce with the preform injection molds up to 144 cavities including double screw design high speed injection machine, precision preform injection molds, post cooling take out robot, centralized control system and high efficient material drying system. The results are higher production efficiency, lower investment expense and better preform quality. You can also choose MHT preform injection molds from Germany at the same time.

Demark also insist on the "turnkey" solution concept by offering preform design and whole plant planning to our customers with more suggestion on various aspects to help our customers keep long term competitive strength in the hyper competitive, changeful consuming market.



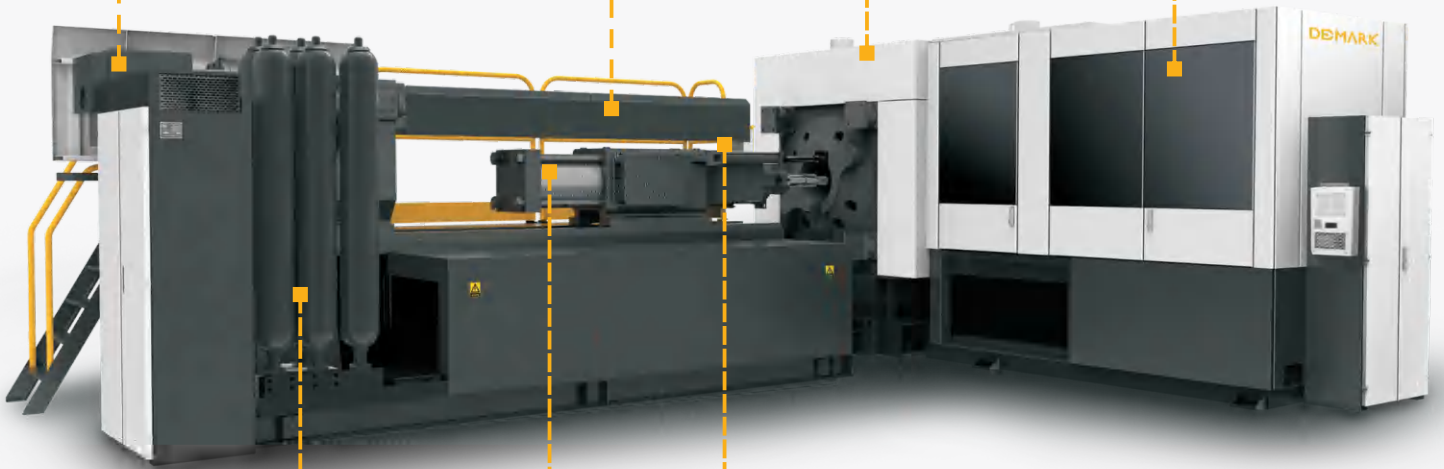


后冷却机械手
POST COOLING TAKE OUT ROBOT

伺服电机溶胶
ELECTRIC SCREW DRIVE

可靠的锁模
RELIABLE CLAMPING

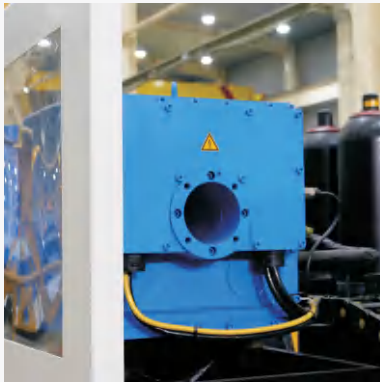
同步溶胶
SYNCHRONOUS MELTING



伺服阀控制
SERVO VALVE CONTROL

高效蓄能器
HIGH EFFICIENT ACCUMULATOR

人机交互系统
HCI CONTROL SYSTEM



伺服电机溶胶 ELECTRIC SCREW DRIVE

- 进口伺服电机溶胶，带来了节能和高效的双重提升。

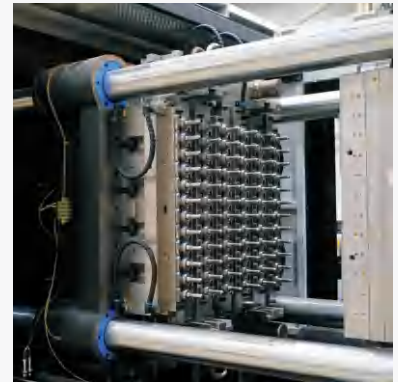
Independent electric screw drive brings you both melting and energy efficiency.



同步溶胶 SYNCHRONOUS MELTING

- 可实现溶胶和射胶同步进行，大幅度缩短成型周期。

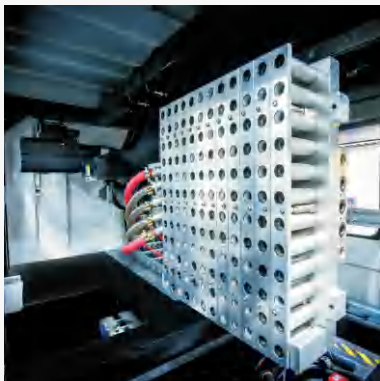
Synchronous materia melting, plasticization and injection at the same.



可靠的锁模 RELIABLE CLAMPING

- 专为PET瓶坯模具设计的模板结构，使得模具各部分都受力均匀，同时保证了高速开合模的要求。

Special design for PET preform mold, which ensures the fast clamping movement and uniform force to the mold.



后冷却机械手 POST COOLING TAKE OUT ROBOT

- 带副轴的模后冷却机械手使瓶坯充分冷却的同时，更缩短了产品生产周期。

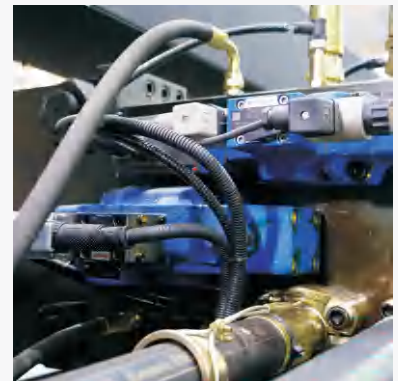
The double stage post cooling robot makes the preform perfectly cooled with better cycle time.



高效蓄能器 HIGH EFFICIENT ACCUMULATOR

- 最高五组的高效蓄能器保证了大注射量的快速和稳定。

Up to 5 sets of high efficient accumulator ensure the stability of high capacity injection.



伺服阀控制 SERVO VALVE CONTROL

- 先进的伺服阀控制理念，使得射胶更加精准。

Advanced servo valve control technology makes the highly dynamic injection possible.



人机交互系统 HCI CONTROL SYSTEM

- 专门为PET生产设计的基于德国倍福的集中操作系统。

BECKHOFF centralized control system special designed for PET production.

主要技术参数

MAIN TECHNICAL FEATURES

MODEL			UNIT	Lightning400/4500		Lightning500/6500
INJECTION UNIT 注射单元	Screw Diameter	螺杆直径	mm	120	140	140
	Screw L/D Ratio	螺杆长径比	L/D	27.5	28.5	28.5
	Theoretical Injection Capacity(Max)	理论射出容量(最大)	cm ³	3800	5888	5888
	Shot Weight(PET)	射出量(PET)	g	4560	7066	7066
			oz	161	250	250
	Injection pressure	射胶压力	kgf/cm ²	1125	1180	1180
Size(LxWxH)	外形尺寸(长x宽x高)	cm	~13000x~8500x~2900		~15000x~8500x~3400	
CLAMPING UNIT 合模单元	Clamping Force	锁模力	Ton	430		500
	Clamping Stroke	移模行程	mm	680		760
	Max/Min Thickness of Mould	最小/大模厚	mm	500/800		600/1150
	Space Between Tie Bars(WxH)	导杆间距(宽x高)	mm	930x1020		1024x1340
	Ejector Stroke	顶出行程	mm	200		200
	Ejector Force	顶出力	Ton	23.9+63.6		23.9+63.6
	NO. of Ejector Pins	顶出杆根数	Piece	7+8		13+8
Maximun System Pressure	最高系统压力	kgf/cm ²	180		180	
MOULD 注坯模具	Cavity(Max)	腔数(Max)	pcs	96/128		144/176
	Length of preform(Max)	最大管腔长度	mm	200		200
	Type of Mould	模具形式	气动针阀式热流道模具 Needle Valve Of Non-cutting PET Preform Mold			
POWER UNIT 电气单元	Pump Motor Power	马达功率	KW	110+119+2.61		110+119+2.8
	Robot Power	机械手功率	KW	50.5		87.5
	Heater Input Capacity	熔胶电热容量	KW	90	124	142
	Mould Heater Capacity	模具加热容量	KW	89/98		139/153
AUTOMATIC EMBRYO 自动取胚	Robot Multi-station Cooling Device	机械手多工位冷却装置	Piece	384		576/704
EXTERNAL REQUIREMENTS 外配要求	Power supply (3-phase AC)	电源 (交流三相四线制)	V	380		380
			KW	462.25/471.25	496.25/505.25	600.3/614.3
	Chilling Water	冷冻水要求	°C	5-15		8-12
			Mpa	0.8		0.8
			L/min	1200		1600
	Cooling Water	冷却水要求	°C	< 25		< 25
			Mpa	0.3		0.3
L/min			400		600	

德玛克保留对产品进行修改的权利，规格如有变动，恕不另行通知。

demark reserve the rights to make any product improvement or specification change without prior notice.



德玛克控股集团

地址: 中国浙江省湖州市长兴国家级开发区发展大道2587号

电话: 0572-6559071, 021-60391126

邮箱: sales@demark-pet.com

DEMARK HOLDING GROUP

Add: No. 2587, Development Avenue, Changxing, Huzhou,
Zhejiang Province, China

TEL: 086-0572-6559071, 086-021-60391126

EMAIL: sales@demark-pet.com

www.demark-pet.com



ISO9001 & CE

◇ Copyright DEMARK CO., LTD. Information subject to alteration. 2019-07版
◇ 由于印刷的关系，故正式机器的颜色与所示的图片有部分差异，一切以机器实样为准。